

L-3 AR Maritime Products

PROTEC AIS SHORE STATION



The L-3 PROTEC AIS Shore Station is a turnkey rack system solution that offers all the functionality expected in an AIS Physical Shore Station. The PROTEC AIS Shore Station integrates all the necessary components to support AIS reception/transmission, autonomous (redundant) failover, data archiving, antenna switching, power conditioning and monitoring, and network support. The rack systems are fully scalable and customizable and can be tailored to meet the specific needs of any project.



KEY FEATURES

- Modular, scalable and customizable design
- Single or redundant configuration
- Standard or enhanced AIS transceiver(s)
- Base station controller
- Separated or combined TX/RX antenna support
- Antenna control for redundant configuration
- UPS with expandable battery pack
- Full remote monitoring and control
- Retractable keyboard and monitor
- Delivered on-site fully or partially assembled



L-3 AR Maritime Products

PROTEC AIS SHORE STATION

PHYSICAL DIMENSIONS

Height:	1295.40 - 2438.4 mm (51-96 in)
Width:	482.60 mm (19 in)
Depth:	609.60 - 889.0 mm (24-35 in)

AIS RX SENSITIVITY

PROTEC-HS	-115 dBm at 20% PER
PROTEC-BS	-107 dBm at 20% PER
Frequency Range:	156.025 - 162.025 MHz

AIS TX POWER

PROTEC-HS	2 - 12.5W, 25 - 50W
PROTEC-BS	25 - 50W, 25 - 100W

BASE STATION CONTROLLER

Auto-Failover	Supported (Redundant)
Auto-Archive	Supported
Archive Retrieval	Supported

ANTENNA SUPPORT

Separated TX/RX:	Supported
Combined TX/RX:	Supported
Antenna Controller:	Supported (redundant)

NETWORK CONNECTIVITY

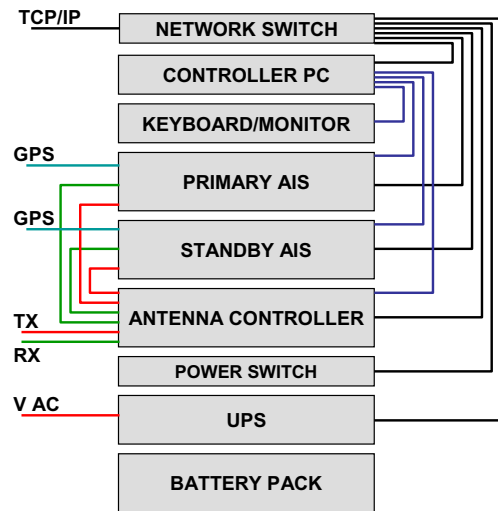
IEC PI :	(8) Ethernet (TCP/IP)
VDL Diagnostics:	(8) Ethernet (TCP/IP)
UPS Monitoring:	Ethernet (TCP/IP)
Power Control:	Ethernet (TCP/IP)

SERIAL CONNECTIVITY

IEC PI	(2) RS232
Diagnostics:	(2) RS232

SERIAL CONNECTIVITY

IEC PI	(2) RS232
Diagnostics:	(2) RS232



L-3 Aviation Recorders Quality Management System is ISO 9001:2000 and AS9100:2004 Rev. B Certified

Aviation Recorders

100 Cattlemen Road
Sarasota, Florida 34232 U.S.A.
Tel: 941-371-0811 Fax: 941-377-5591
Website: www.L-3ar.com
Documents: www.L-3ar.net



Aviation Recorders

L-3. Headquartered in New York City, L-3 Communications is a prime contractor in C3ISR (Command, Control, Communications, Intelligence, Surveillance and Reconnaissance) systems, aircraft modernization and maintenance and government services. L-3 is also a leading provider of a broad range of electronic systems used on military and commercial platforms.

This technical data and software is considered as Technology Software Publicly Available (TSPA) as defined in Export Administration Regulations (EAR) Part 734.7-11.

Data contained within this document are summary in nature and subject to change any time at L-3's discretion. Call for latest revision.

All brand names and product names referenced are trademarks, registered trademarks, or trade names of their respective holders. MAR043 Rev. B - 3/11