

Hardened Voyage Recorder (HVR01)

Model Number: HVR01

State-of-the-Art Solid State Final Recording Medium Within a Protective Capsule, Offering High Capacity and Low Cost of Ownership.



- Storage Capacity Exceeds 12 Hours of Voyage Data (RADAR, Audio, and Sensor)
- Custom Designed Underwater Locator Beacon (ULB)
- 1.75 GB Solid State Memory (Expandable)
- Long Life/Low Operating Power
- Meets or Exceeds all required IEC 61996 and 60945 Test Specifications
- Two-Piece Design Allows for Easy Convenient Servicing and Installation
- Ethernet Interface



communications

6000 Fruitville Road
Sarasota, Florida 34232
P: 941 379 1660
F: 941 377 5591
www.L-3com.com

SPECIFICATIONS

HARDENED VOYAGE RECORDER (HVR)

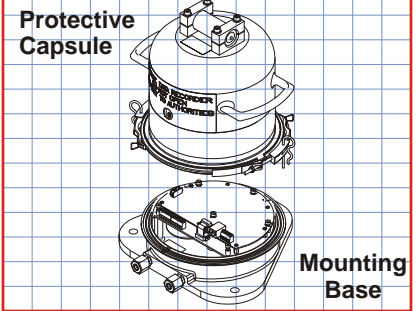
The HVR is comprised of two subassemblies: A mounting base subassembly, which is directly fastened to the ship and provides a water tight cable entry for power and Ethernet connections. The Ethernet interface is a 10base-T/STP (shielded twisted pair), CAT 5 with flammability per IEC 95. The power, assuming an estimated 5 Watts and 75 meter run, for 24Vdc, hot and return, recommended wire gauge is AWG #20 or less, for 110Vrms, hot, neutral, and ground is AWG #28 or less. A removable protective capsule subassembly is attached to the mounting base with a quick releasing v-band clamp. The HVR has an externally mounted Underwater Location Beacon (ULB). The HVR is painted a highly visible fluorescent orange with white reflective labels and SOLAS reflective tape. The reflective labels contain the required text: VOYAGE DATA RECORDER, DO NOT OPEN, REPORT TO AUTHORITIES. Each HVR is certified for the environmental qualification categories of IEC 60945, and the survivability requirements of IEC 61996.

Physical	Height	12 inches (330.3mm)
	Diameter	8 inches (203.2mm)
	Width	Mounting base 10 inches (254mm)
	Color	Fluorescent orange
Power	Requirements	24 Vdc or 110/220 Vac at 50-60Hz
	Consumption	5 W, max at 24 Vdc
Cabling	TCP/IP Ethernet	CAT 5 cable
	AC power cable	
	DC power cable	24-14 AWG
Recording Time	12 hours of RADAR, sensor, and audio data	
Environmental	Fully tested and compliant to IEC 60945 exposed environment.	
	Fully tested and compliant to IEC 61996 protective capsule requirements including:	
	Penetration	250kg/100mm probe at 3 meters
	Fire Protection	50,000 BTU/sq foot/hour for 60 minutes at 1100° 10 hours at 260°C
	Shock	IEC 68-2-27 50g's, 11ms, half-sine shock
Immersion	6000 meters depth	
Underwater Acoustic Beacon	SAE AS 8045 compliant, supplied with unit	

The technical information contained in the marketing brochure(s) does not contain "technology" as defined by the General Technology Note in Export Administration Regulations (EAR) Supplement number 2 to Part 744 and is, therefore, considered as publicly released as defined in Part 734.7(4).

Specifications subject to change without notice. For up to date information go to www.L-3ar.com/Products MAR010 Rev. F

HARDENED VOYAGE RECORDER (HVR)



The HVR is capable of recording, reproducing data, and reporting BITE information.

AUDIO ACQUISITION AND MICROPHONE MIXER (AAMM)



The AAMM has a PCI bus interface and resides in the PC used by the Voyage Data Recorder (VDR) to process data. The primary function of the AAMM is to acquire and mix microphone inputs and generate compressed audio data. The AAMM is capable of mixing up to nine preamplified microphone signals into three area audio channels and mixing up to three radio channels into one radio audio channel. The compressed data is sent to the Hardened Voyage Recorder (HVR) via Ethernet using TCP/IP.



L-3 Aviation Recorders Quality Management System is ISO 9001:2000 and AS9100:2004 Rev. B Certified

For additional information contact:



communications
Aviation Recorders

6000 Fruitville Road
Sarasota, FL 34232
P: 941 379 1660
F: 941 377 5591
www.L-3com.com