

Simplified Voyage Recorder (SVR01)

Model Number: SVR01

A Final Recording Medium Stored in a Lightly Protected Capsule Designed Specifically for the Simplified Voyage Data Recorder (S-VDR).



- Storage Capacity Exceeds 12 Hours of Voyage Data (RADAR, Audio, and Sensor)
- Custom Designed Underwater Locator Beacon (ULB)
- 1.75 GB Solid State Memory (Expandable)
- Long Life/Low Operating Power
- Meets or Exceeds All Required IEC 61996 and 60945 Test Specifications
- Advanced Mounting Base Design Facilitates Servicing and Installation.
- Ethernet Interface
- Interfaces to the World's Leading VDR's



communications

6000 Fruitville Road
Sarasota, Florida 34232
P: 941 379 1660
F: 941 377 5591
www.L-3com.com

SPECIFICATIONS

SIMPLIFIED VOYAGE RECORDER (SVR)

The SVR provides an Ethernet interface that is a 10/100base-T/STP (shielded twisted pair), CAT 5e with flammability per IEC 95. The power, is less than 5 Watts for a 75 meter run, on 24Vdc, the recommended wire gauge is AWG #20 or less. The SVR has an externally mounted Underwater Location Beacon (ULB) located under the unit. The SVR is a highly visible fluorescent orange with white reflective labels and SOLAS reflective tape. The reflective labels contain the required text: VOYAGE DATA RECORDER, DO NOT OPEN, REPORT TO AUTHORITIES. Each SVR is certified for the environmental qualification categories of IEC 60945, and the survivability requirements of IEC 61996.

Physical	Height	12 inches (330.3mm)
	Diameter	8 inches (203.2mm)
	Width	Mounting base 10 inches (254mm)
	Weight	21 pounds (9.53kg)
	Color	Fluorescent orange

Power	Requirements	24 Vdc
	Consumption	5 W, max at 24 Vdc

Cabling	TCP/IP Ethernet	CAT 5e cable
	DC power cable	20-14 AWG

Recording Time	12 hours of RADAR, sensor, and audio data
----------------	---

Environmental	Fully tested and compliant to IEC 60945 exposed environment.
	Fully tested and compliant to IEC 61996 simplified protective capsule requirements including:

Fire Protection	50,000 BTU/sq foot/hour for 60 minutes at 1100° 10 hours at 260°C
-----------------	--

Shock	IEC 68-2-27 50g's, 11ms, half-sine shock
-------	--

Immersion	6000 meters depth
-----------	-------------------

Underwater Acoustic Beacon	SAE AS 8045 compliant, supplied with unit
----------------------------	---

The technical information contained in the marketing brochure(s) does not contain "technology" as defined by the General Technology Note in Export Administration Regulations (EAR) Supplement number 2 to Part 744 and is, therefore, considered as publicly released as defined in Part 734.7(4).

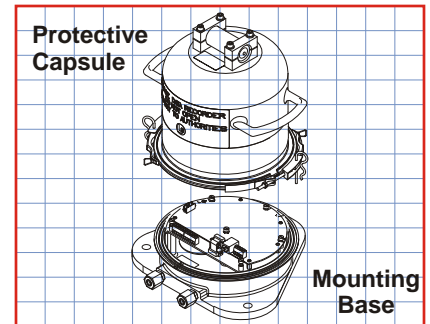
Specifications subject to change without notice. For up to date information go to www.L-3ar.com/Products MAR009 Rev. J

HARDENED VOYAGE RECORDER (HVR)

Designed Specifically For New Build and Passenger Vessels as Defined in IMO Resolution A. 861 (20).



State-of-the-art solid state final recording medium within a protective capsule, offering high capacity and low cost of ownership.



The L-3 protective capsule HVR communicates with a VDR over Ethernet using TCP/IP. The HVR is capable of recording, reproducing data and reporting BITE information. It is capable of storing 12 hours of: three area audio channels at a rate of 48kbps, one radio audio channel at a rate of 24kbps, one sensor data channel at a rate of 10kbps and one radar compressed frame image channel at a rate of 50kbps



L-3 Aviation Recorders Quality Management System is ISO 9001:2000 and AS9100:2004 Rev. B Certified

For additional information contact:



communications
Aviation Recorders

6000 Fruitville Road
Sarasota, FL 34232
P: 941 379 1660
F: 941 377 5591
www.L-3com.com